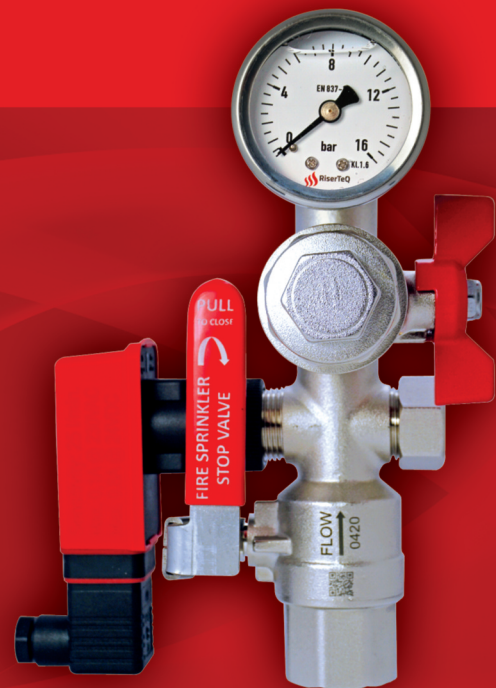


FIRE SPRINKLER PRODUCTS

Domestic Manifold *Riser*

DN25 – DN32



ABOUT THE DMR



Domestic Fire Sprinkler valve set

Designed according to:

BS 9251:2021 & EN 16925:2018

Utilising only:

EN 12259-5 LPCB Flow Switches

RiserTeQ fire sprinkler products are designed with a holistic approach resulting in unique, highly functional solutions fit for purpose that also comply with all relevant standards. This design ethos enables us to provide both user and installer with products which remove historic and problematic faults and provide features which reduce installation and commissioning time. At every phase of the design, testing and manufacturing process, **RiserTeQ** manifold valve sets focus on reliability with an emphasis on quality.

Unique one piece forging = 50% Less leak paths

The **DMR**, the worlds first Domestic Valve Set manifold riser designed exclusively for Domestic or Single dwelling premises according to BS 9251:2021 and also EN 16925:2018.

This Cat 1 solution features a patent pending design which offers a unique single piece forging and therefore limits leak paths and reduces product failure risk

The unique handle design and operation allows installations to be in the most confined domestic spaces, whilst allowing the manifold valve set to be truly ambidextrous. This provides both convenience for installation/commissioning and also ongoing testing of the system and Flow Alarm. All **RiserTeQ** manifold products only use Flow Alarms approved to EN 12259-5 which are LPCB certified.

Category 1 Installations:

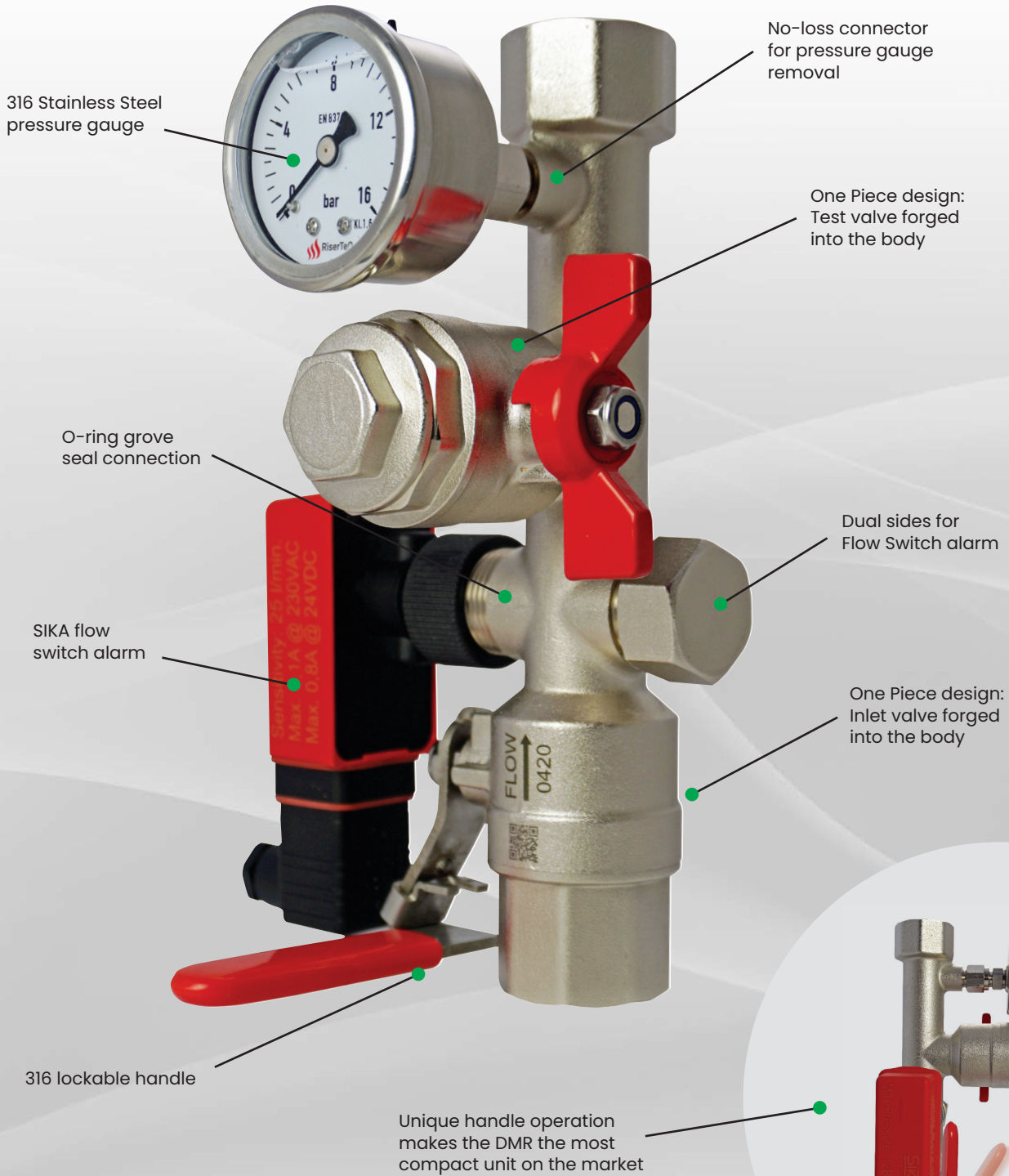
Domestic & Single Dwelling premises

- ✓ World's first one piece forging design
- ✓ Truly ambidextrous locking handle
- ✓ Compact installation and operation
- ✓ Reduced leak risk by 50%
- ✓ Patent pending



patent pending

DMR Manifold Features



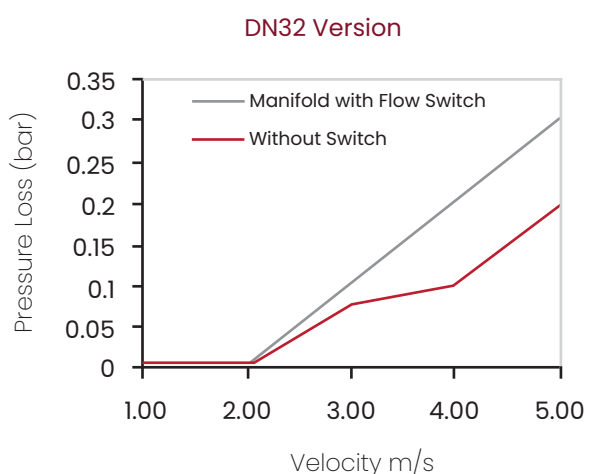
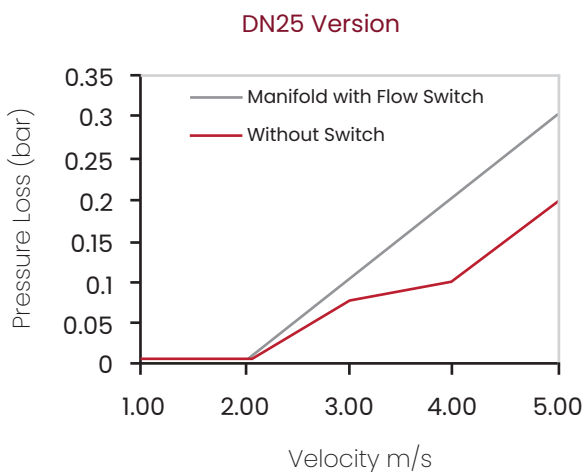
DMR Technical Data

| Manifold | | |
|--------------------------------|------------|----------------|
| Size | DN25 | DN32 |
| Inlet Connection | Female G1" | Female G1 1/4" |
| Outlet Connection | Female G1" | Female G1 1/4" |
| Test Point Connection | Female G1" | Female G1" |
| Medium | Water | Water |
| Medium Temperature | 5...50 °C | 5...50 °C |
| Ambient Temperature | 5...60 °C | 5...60 °C |
| Max Pressure Rating | 12 bar | 12 bar |
| Inlet Valve Internal Bore | DN25 | DN32 |
| Test Point Valve Internal Bore | DN25 | DN32 |

| Pressure Gauge | |
|---------------------|-----------|
| Size | 50mm |
| Pressure Range | 0-16 Bar |
| Accuracy | 1.6 FSD |
| Standard | EN 837-1 |
| Pressure Scale | 0.5 Bar |
| Pressure Connection | G1/4" |
| Medium Temperature | 5...50 °C |
| Ambient Temperature | 5...60 °C |

| No-Loss Connector | |
|---------------------|-------------------|
| Max Pressure | 16 bar |
| Ambient Temperature | 5...60 °C |
| Process Connections | G1/4" x 1/4" BSPT |

DMR Pressure Loss Data



VKF Flow Switch



Flow Switch proudly produced by SIKA



[Click for Certificate](#)

| VKF Flow Switch | | |
|---------------------------------|---|----------------|
| Model | VKF25 M2 BRASS | VKF32 M2 BRASS |
| For RiserTeQ™ Valve set Size | DN25 | DN32 |
| Max pressure rating | 12 Bar | 12 Bar |
| Medium temperature | -25... 100 °C | -25... 100 °C |
| Ambient temperature | -25... 70 °C | -25... 70 °C |
| Setpoint (Sensitivity) | 25 L/min* | 26 L/min* |
| Maximum Surge | 5,5 m/s | 5,5 m/s |
| Medium | Water | Water |
| Electrical Specification | | |
| Electrical Connection | Plug connector DN EN 175301-803-A inc. cable socket | |
| Switch Type | 1 x SPST | |
| Electrical Rating | Max. 26 VA, 20W | |
| Switching Voltage | Max. 230 VAC, 48 VDC | |
| Maximum Rated Current @ 230 VAC | 0,1 A | |
| Maximum Rated Current @ 24 VDC | 0,8 A | |
| Minimum Rated Current | 1 mA | |
| Ingress Protection | IP65 | |
| Protection class (EN 60730-1) | Class II | |
| Materials of Construction | | |
| Body / Holder | PPE+PS Noryl™ 30% GF | |
| Paddle System / Disk / Rivet | BRASS (CW614N, CW508L) | |
| Axis | Stainless Steel 1,4571 | |
| Magnet | Hard Ferrite | |

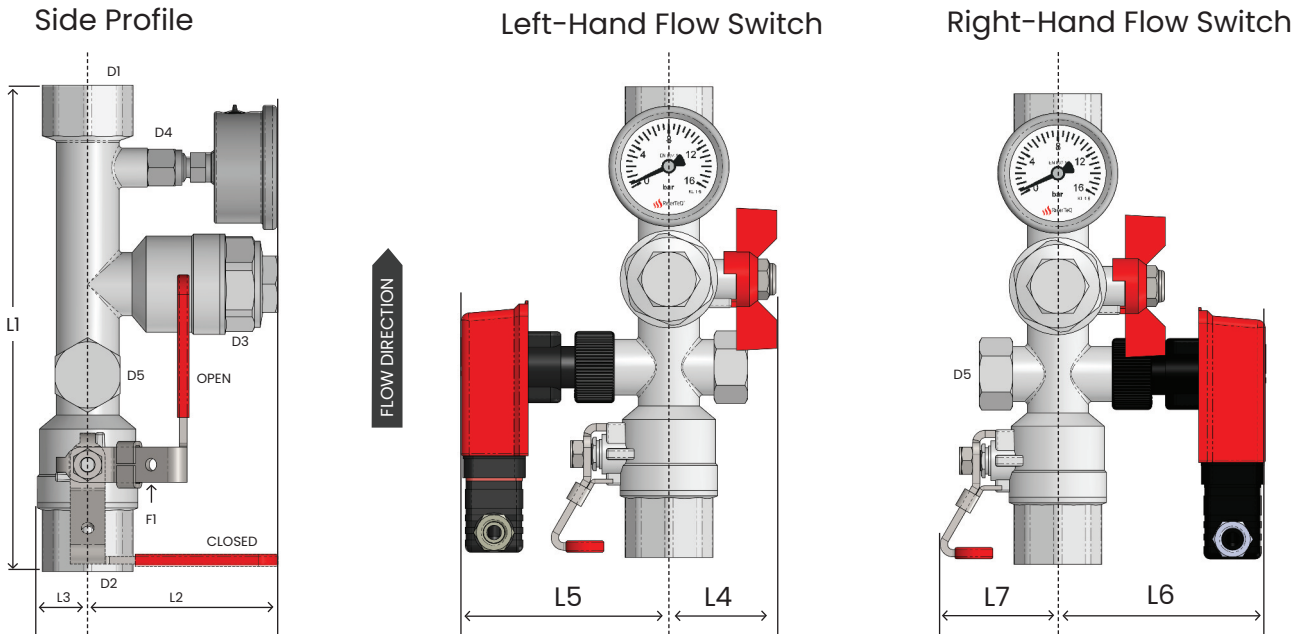
* Water @ 20°C, Vertical Pipe (Flow Direction Upwards). Tolerance +/-15%. Must be installed according to the manual.

VKF Approvals



LPCB Ref. No. 1606a

Dimensions

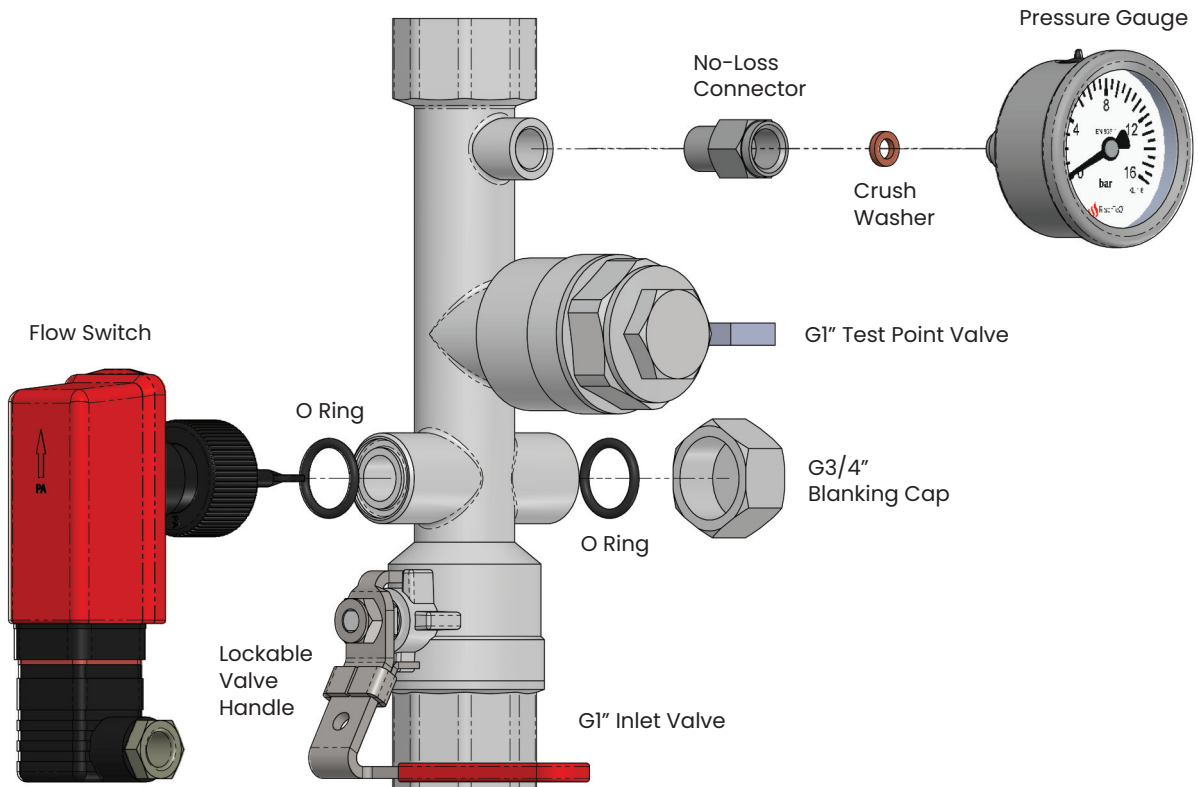


| Type | L1 | L2 | L3 | L4 | L5 | L6 | L7 | D1 | D2 | D3 | D4 | D5 | F1 |
|--------|-------|------|------|------|-------|-------|------|------------------------|------------------------|--------------------|-------|-----------------|----|
| DMR-25 | 225,0 | 91,0 | 23,5 | 52,5 | 99,5 | 99,5 | 56,5 | 1" BSPP ISO 228 | 1" BSPP ISO 228 | 1" BSPP ISO 228 | G1/4" | G3/4 ISO 228 | ø6 |
| DMR-32 | 225,0 | 94,5 | 29,0 | 52,5 | 102,0 | 102,0 | 64,0 | 1 1/4" BSPP ISO 228 | 1 1/4" BSPP ISO 228 | 1" BSPP ISO 228 | G1/4" | G3/4 ISO 228 | ø6 |

Materials of Construction

| Manifold | |
|-----------------------------------|---------------------------|
| Body | Brass CW617N Nickel plate |
| Seals | PTFE and NBR (HA70) |
| Inlet Valve Locking Handle | 316 SS |
| Blanking Cap | Brass CW617N Nickel plate |
| Test Valve Cap | Brass CW617N Nickel plate |
| Pressure Gauge | |
| Outer Case and Process Connection | 304 SS |
| Bourdon Tube | 316 SS |
| Window | Polycarbonate |
| Flow Switch | |
| See Page | 5 |

Type DMR Manifold



| Order Code | | | | | | |
|-----------------------------|-----|----|--------|-----|----|--------|
| Type | | | | | | |
| Domestic Manifold Riser | DMR | | | | | |
| Size DN | | | | | | |
| DN-25 | | | | | | 25 |
| DN-32 | | | | | | 32 |
| Flow Switch | | | | | | |
| DN-25 Metal Paddle | | | | | | VKF25M |
| DN-32 Metal Paddle | | | | | | VKF32M |
| DN-32 Plastic Paddle | | | | | | VKF32P |
| No Switch | | | | | | 00000X |
| Pressure Gauge | | | | | | |
| 0-16 Bar | | | | | | PG1 |
| Special | | | | | | PGX |
| No-Loss Connector | | | | | | |
| With | | | | | | NL |
| Without | | | | | | NB |
| Custom Options | | | | | | |
| No Options | | | | | | 1000 |
| Example Order Number | DMR | 25 | VKF25M | PG1 | NL | 1000 |

RISERTEQ reserve the right to change the technical details in the brochure at any time.



RiserTeQ Limited

8 Astley House
Cromwell Business Park
Oxfordshire
OX7 5SR

www.RISERTEQ.com | sales@RISERTEQ.com